

WPEQ-257ACN

802.11ac/a/b/g/n Dual-Band

2T2R Half Mini PCIe Module



Next-Generation High Throughput Enterprise Networking Solution

The WPEQ-257ACN is powered by Qualcomm Atheros QCA9882 radio chip and features 2x2 11ac technology for higher throughput performance, reliability and range. It is designed to meet the demanding performance requirements of critical embedded applications.

The WPEQ-257ACN dramatically increase the overall throughput up to 867Mbps. Leveraging the revolutionary 11ac technology, PEQ-257ACN sets a new benchmark in throughput and range, making it ideal for consumer and enterprise applications, such as point of sale, gaming machine and medical equipment. The WPEQ-257ACN is backward compatible with 802.11a/b/g/n and fully supports industry standards compliant security.

Embedded Application

Applications include medical devices, security systems, industrial, Point of Sale, digital signs, industrial tablet PC's, handheld devices, thin client devices, Gaming machine, medical equipment, Robotic, warehouse, etc.

Key Feature

- Qualcomm Atheros QCA9882
- Antenna: 2 x IPEX MHF1, 2T2R
- Data Rates: allows link speeds up to 867Mbps.
- Support Linux driver
- 802.11ac compliant & backward compatible with 802.11a/b/g/n

Specification

Standards	IEEE 802.11ac/a/b/g/n (2T2R)
Chipset	Qualcomm Atheros QCA9882-BR4A
Data Rate	802.11b: 11Mbps 802.11a/g: 54Mbps 802.11n: MCS0 ~ 15 802.11ac: MCS0 ~ 9
Operating Frequency	IEEE 802.11ac/a/b/g/n ISM Band: 2.412GHz ~ 2.472GHz, 5.180GHz ~ 5.825GHz *Subject to local regulations
Interface	WLAN: PCIe
Form Factor	Half Mini PCIe
Antenna	2 x IPEX MHF1 connectors
Modulation	Wi-Fi: 802.11b: DSSS (DBPSK, DQPSK, CCK) 802.11g: OFDM (BPSK, QPSK, 16-QAM, 64-QAM) 802.11n: OFDM (BPSK, QPSK, 16-QAM, 64-QAM) 802.11a: OFDM (BPSK, QPSK, 16-QAM, 64-QAM) 802.11ac: OFDM (BPSK, QPSK, 16-QAM, 64-QAM, 256-QAM)
Power Consumption	TX mode: 700mA (Max.) RX mode: 300mA (Max.)
Operating Voltage	DC 3.3V
Operating Temperature Range	-20°C~60°C
Storage Temperature Range	-30°C~75°C
Humidity (Non-Condensing)	10% ~ 85% (Operating) 5% ~ 90% (Storing)
Dimension L x W x H (in mm)	29.85mm(±0.3mm) x 26.8mm(±0.3mm) x 3.05mm(±0.3mm)
Weight (g)	4.5g
Driver Support	Linux
Security	64/128-bits WEP, WPA, WPA2, WPA3, 802.1x

OUTPUT POWER & SENSITIVITY
802.11b

Data Rate	Tx \pm 2dBm	Rx Sensitivity
11Mbps	15dBm	\leq -76dBm

802.11g

Data Rate	Tx \pm 2dBm	Rx Sensitivity
54Mbps	13dBm	\leq -65dBm

802.11n / 2.4GHz

HT20	Data Rate	Tx \pm 2dBm (1TX)	Tx \pm 2dBm (2TX)	Rx Sensitivity
	MCS7	12dBm	15dBm	\leq -64dBm
HT40	MCS7	11dBm	14dBm	\leq -61dBm

802.11a

Data Rate	Tx \pm 2dBm	Rx Sensitivity
54Mbps	12dBm	\leq -65dBm

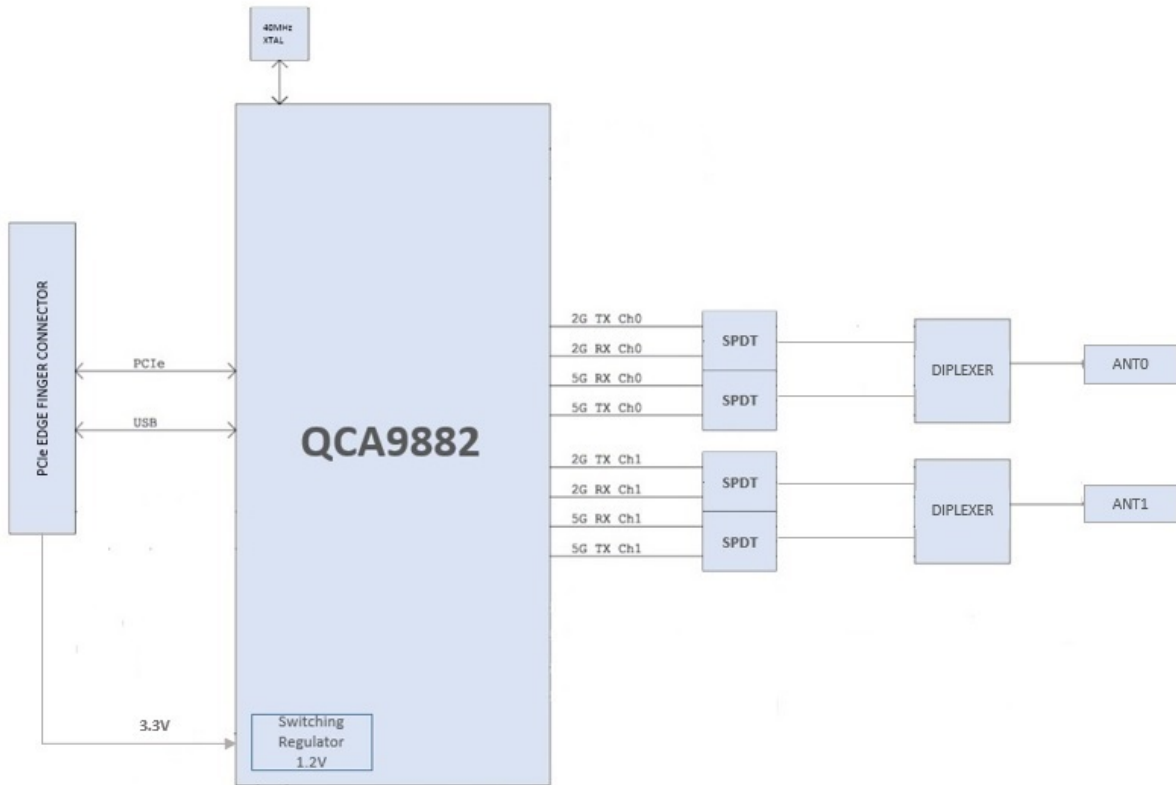
802.11n / 5GHz

HT20	Data Rate	Tx \pm 2dBm (1TX)	Tx \pm 2dBm (2TX)	Rx Sensitivity
	MCS7	11dBm	14dBm	\leq -64dBm
HT40	MCS7	10dBm	13dBm	\leq -61dBm

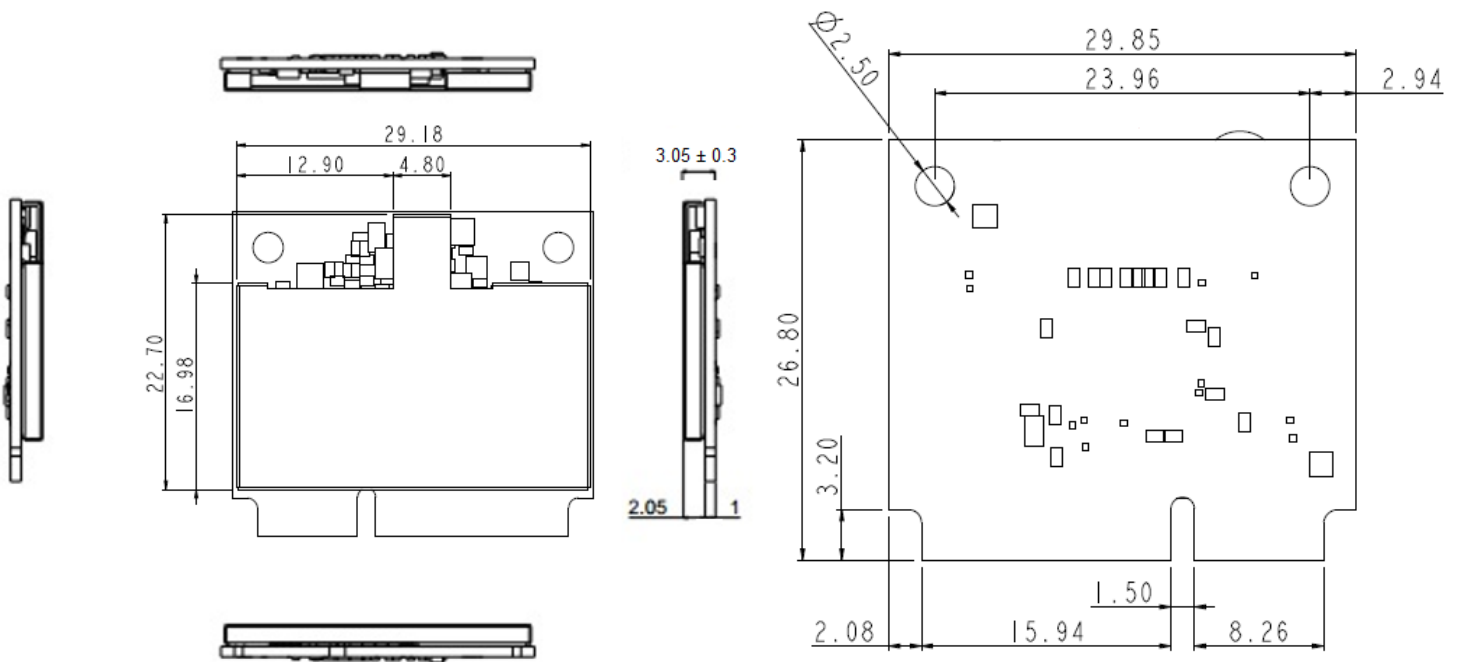
802.11ac

VHT80	Data Rate	Tx \pm 2dBm (1TX)	Tx \pm 2dBm (2TX)	Rx Sensitivity
	MCS9	4dBm	7dBm	\leq -51dBm

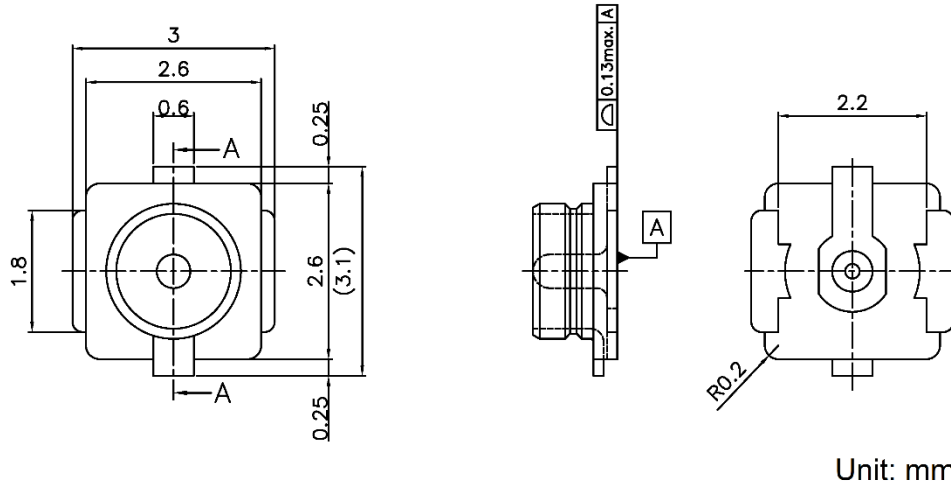
Block Diagram



Mechanical Dimension (mm)



MHF1 connector spec.



Pin Assignment

Pin#	Pin Name	Status	Pin#	Pin Name	Status
1	WAKE_L(NA)	Output and open Drain active Low signal. This signal is used to request that the system return from a sleep/suspended state to service a function initiated wake event.	2	+3.3V	+3.3V
3	No Connection	-	4	GND	GND
5	No Connection	-	6	No Connection	-
7	CLKREQ_L	Output for reference clock request signal	8	No Connection	-
9	GND	GND	10	No Connection	-
11	REFCLK-	Input signal for PCI Express differential reference clock (100 MHz)	12	No Connection	-
13	REFCLK+	Input signal for PCI Express differential reference clock (100 MHz)	14	No Connection	-
15	GND	GND	16	No Connection	-
17	No Connection	-	18	GND	GND

Pin Assignment

Pin#	Pin Name	Status	Pin#	Pin Name	Status
19	No Connection	-	20	W_DISABLE_L (OPT)	Input and active low signal. This signal is used by the system to disable radio operation on add-in cards that implement radio frequency applications. When implemented, this signal requires a pull-up resistor on the card
21	GND	GND	22	PERST_L	Input signal for functional reset to the card
23	PERn0	PCI Express x1 data interface: one differential receive pair	24	+3.3V	+3.3V
25	PERp0	PCI Express x1 data interface: one differential receive pair	26	GND	GND
27	GND	GND	28	No Connection	-
29	GND	GND	30	No Connection	-
31	PETn0	PCI Express x1 data interface: one differential transmit pair	32	No Connection	-
33	PETp0	PCI Express x1 data interface: one differential transmit pair	34	GND	GND
35	GND	GND	36	No Connection	-
37	GND	GND	38	No Connection	-
39	No Connection	-	40	GND	GND
41	No Connection	-	42	No Connection	-
43	GND	GND	44	LED_WLAN_L (OPT)	Output and open drain active low signal. This signal is used to allow the PCI Express Mini Card add-in card to provide status indicators via LED devices that will be provided by the system
45	No Connection	-	46	No Connection	-
47	No Connection	-	48	No Connection	-
49	No Connection	-	50	GND	GND
51	No Connection	-	52	+3.3V	+3.3V

*NA→No active

*OPT →Optional

Certification

Dipole Ant.

- | | |
|---|--|
| <input checked="" type="checkbox"/> FCC | <input checked="" type="checkbox"/> CE (RED EN 300 328 V2.2.2 / EN 301 893 V2.1.1) |
| <input checked="" type="checkbox"/> IC | <input checked="" type="checkbox"/> MIC |
| <input type="checkbox"/> NCC | <input type="checkbox"/> ASNZS |

Ordering Information

Product Name	Part Number	Description
WPEQ-257ACN	R9701890010	802.11ac/b/g/n Half-Mini PCIe module

Optional Accessory

Product Name	Part Number	Description
AD-103AG	R3410110203	Dipole Antenna, 2dBi 2.4GHz/5GHz, RP-SMA(M) connector
AD-302N	R3410110221	Dipole Antenna, 3dBi/2dBi 2.4G/5GHz, RP-SMA(M) connector
AD-303N	R3410110222	Dipole Antenna, 3dBi/3dBi 2.4G/5GHz, RP-SMA(M) connector
AD-305N	R3410110223	Dipole Antenna, 5dBi/5dBi 2.4G/5GHz, RP-SMA(M) connector
CBIRF-ME150	R3470300023	I-PEX/MHF1 to RP-SMA Female; L:150mm; Coaxial 1.37 Black
CBIRF-ME250	R3470300024	I-PEX/MHF1 to RP-SMA Female; L:250mm; Coaxial 1.37 Black